

TRI-MAX 3 Mini-CAF (TM3-M)

Product Specifications

Pressure Vessel Capacity	3
CAFS output	60 Gallons Maximum
Discharge Range	35-45 Feet
Discharge	3/8" Hand-held line

Dimensions

Depth	14 5/8"
Height	26"
Width	9 1/2"
Weight empty	20 lbs
Weight Full	46 lbs

Servicing Requirements

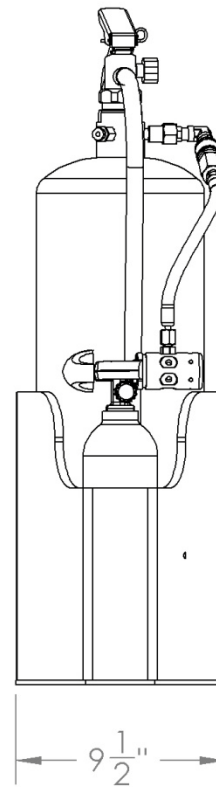
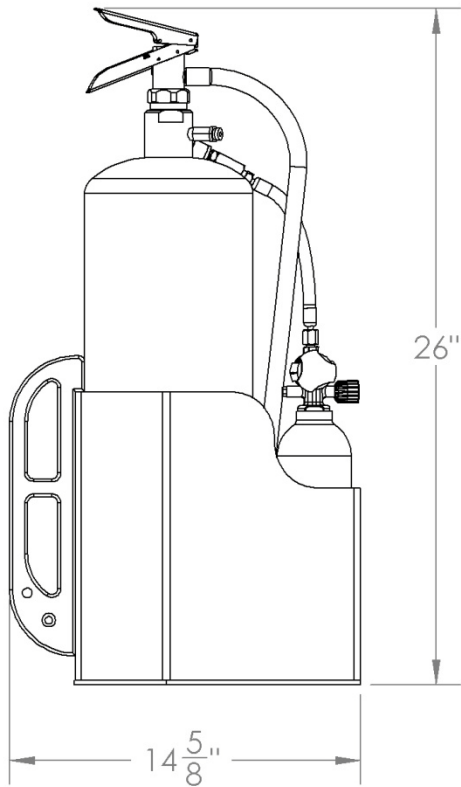
Foam concentrate	32(3%)-64(6%) ounces
Spare Air Cylinder	SCUBA Type (Recommended)

Optional Features

- Universal Mount

General Specifications – Standard

Vessel Type	Stainless Steel
Vessel Diameter	7"
Fill Diameter	1 1/2" Diameter
Draw Tube	Standard Fire Extinguisher draw tube
System Pressure Hose	1/4" x 7 1/2" 3000 psi, exceeds SAE 100R5
Plumbing	Brass and Steel Fittings
Discharge Hose	3/8"x 20" Hard rubber
Expellant Type	Compressed Air or Nitrogen
Expellant Cylinder Capacity	SCUBA Type 6 cu ft 3000 psi per cylinder
Bottle Bracket	Welded Co-Polymer Base
Regulator	SCUBA type 140 psi
Discharge Nozzle	Squeeze type plated brass
Discharge Tip	Brass strait tip
Foam Compatibility	Class A - B – FireAde 2000
Frame Construction	Welded Co-Polymer



DIMENSIONS ARE IN INCHES
 TOLERANCES:
 FRACTIONAL ± 3/32"
 ANGULAR: MACH ± BEND ±
 TWO PLACE DECIMAL ±
 THREE PLACE DECIMAL ±

	NAME	DATE	MATERIAL
DRAWN			FINISH
CHECKED			
			DO NOT SCALE DRAWING

PROPRIETARY AND CONFIDENTIAL
 THE INFORMATION CONTAINED IN THIS DRAWING IS THE SOLE PROPERTY OF KINGSWAY INDUSTRIES, INC. ANY REPRODUCTION IN PART OR AS A WHOLE WITHOUT THE WRITTEN PERMISSION OF KINGSWAY INDUSTRIES, INC. IS PROHIBITED.

KINGSWAY INDUSTRIES, INC.

TRI-MAX
 K.C.A.F. FIRE TECHNOLOGIES

SIZE	DWG. NO.	REV.
A	TM3-New-Spec	
SCALE: 1:2	WEIGHT:	SHEET 1 OF 1