

TRI-MAX Super 60-LP and 60 LP

Product Specifications

Pressure Vessel Capacity	60 Gallons
CAFS output	1200 Gallons Maximum
Discharges	1" Hand-held line 1.5" Hand Line (Super-60-LP Only)
Discharge Range	1" Line: 65-75 Feet in Zero wind 1.5" Line: 85-95 Feet in Zero wind

Dimensions

SKID Length	72"
Overall Length	78 1/8"
Height	32 3/8"
Width	44 1/2"
Weight empty	630 lbs approx
Weight Full	1130 lbs approx

Servicing Requirements

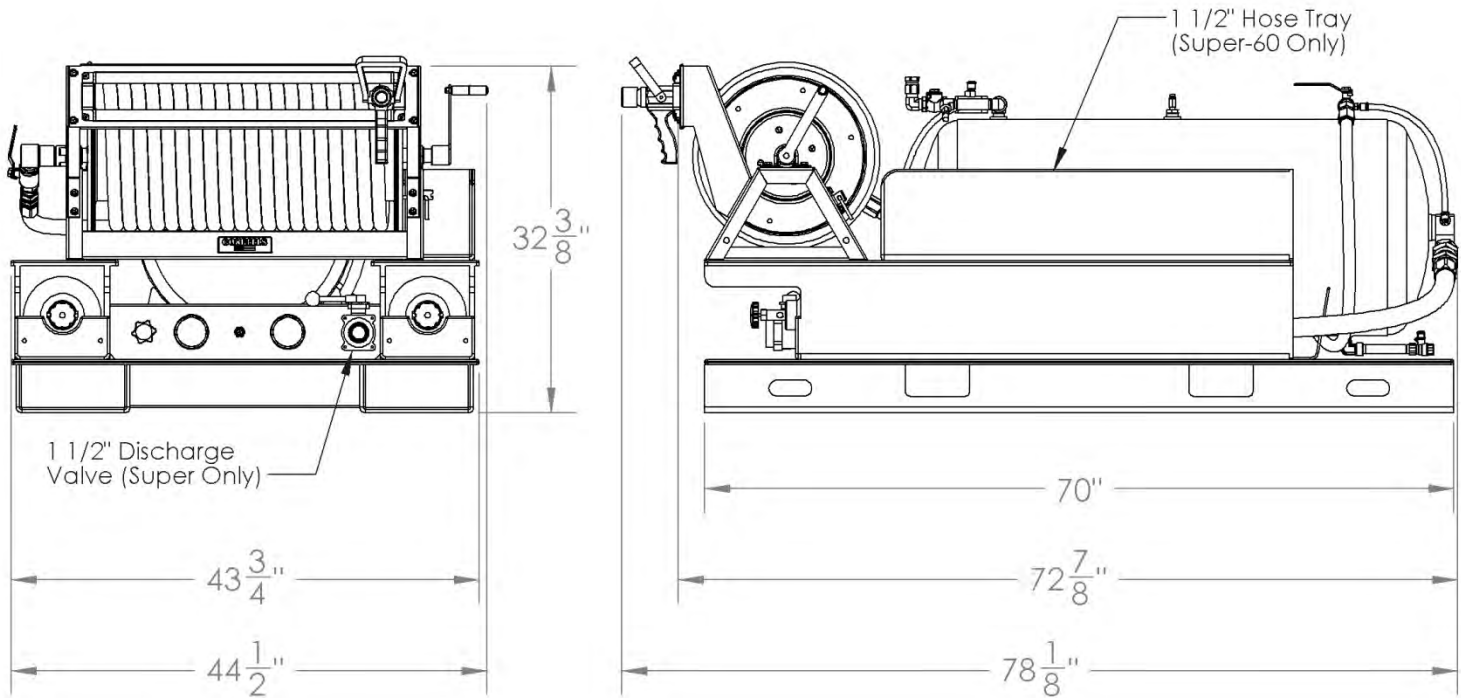
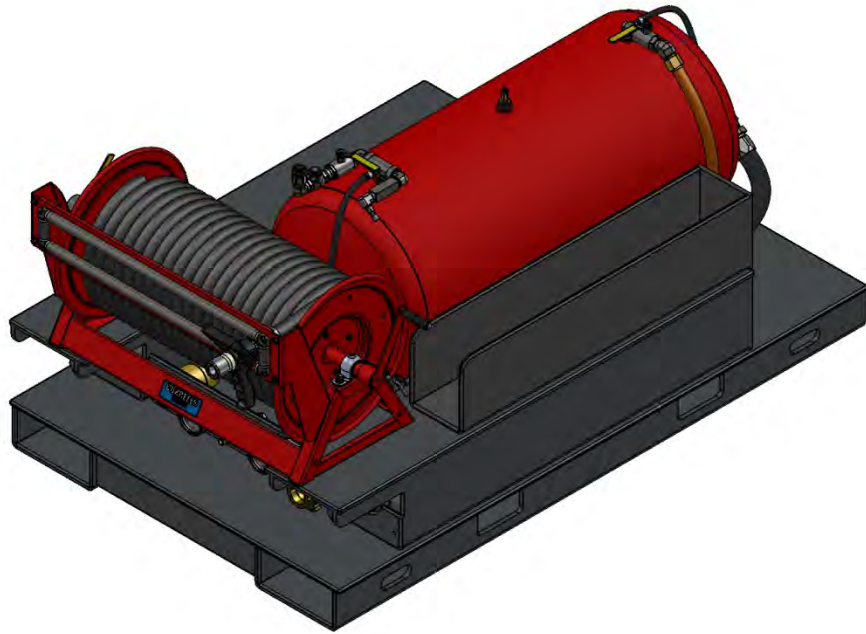
Class A - Ordinary Combustibles; 1%	2 1/2 US Qt. (80 oz)
Class A/B -Multi Level Hazards : 3%	2 gal (256 oz.)
Class B - Flammable Liquids: 6%	4 gals. (512oz)
Class D - Combustible Metals/Solids: 10%	6 US gals. (768 ozs.)
Spare Air Cylinder	Industrial Type Available

Optional Features

- Electric rewind booster reel
- Protective Cover

General Specifications – Standard

Premix Pressure Vessel Construction	Steel Construction to ASME standards
Premix Pressure Vessel Diameter	20"
Fill Type	Female Garden Hose Fitting (Funnel with adapter included)
Pick up tube	Corrosion Resistant
Premix Pressure Vessel Drain Type	Ball Valve
System Hoses	Braided Stainless Steel with black material coated
Plumbing	Brass and Steel Fittings
Discharge Hose	100' x 1" hard rubber line 100' x 1.5" flay lay wildland hose (Super-60-LP Only)
Discharge Duration	1" discharge Hose: 3 minutes 45 seconds 1.5" Discharge Hose: 1 minute 45 seconds
Expellant Type	Compressed Air or Nitrogen
Expellant Cylinder Capacity	Industrial Type 150 cu ft 2250 psi per cylinder
Air Cylinder Bracket	Welded Co-polymer Enclosure
Regulator	Adjustable pressure 0-400 psi
Discharge Nozzle	Pistol Grip style
Discharge Tip	Smooth bore machined aluminum
Foam Compatibility	Class A - B - D
Frame Construction	Welded Co-polymer



DIMENSIONS ARE IN INCHES
 TOLERANCES:
 FRACTIONAL ±
 ANGULAR: MACH ± BEND ±
 TWO PLACE DECIMAL ±
 THREE PLACE DECIMAL ±

	NAME	DATE	MATERIAL
DRAWN	DJR	7-1-2010	
CHECKED			
DO NOT SCALE DRAWING			

PROPRIETARY AND CONFIDENTIAL
 THE INFORMATION CONTAINED IN THIS DRAWING IS THE SOLE PROPERTY OF KINGSWAY INDUSTRIES, INC. ANY REPRODUCTION IN PART OR AS A WHOLE WITHOUT THE WRITTEN PERMISSION OF KINGSWAY INDUSTRIES, INC. IS PROHIBITED.

KINGSWAY INDUSTRIES, INC.

TRI-MAX
 K.C.A.F. FIRE TECHNOLOGIES

TM Super-60

SIZE	DWG. NO.	REV.
A	d-TM-Super-60-Spec	
SCALE: 1:18	WEIGHT:	SHEET 1 OF 1